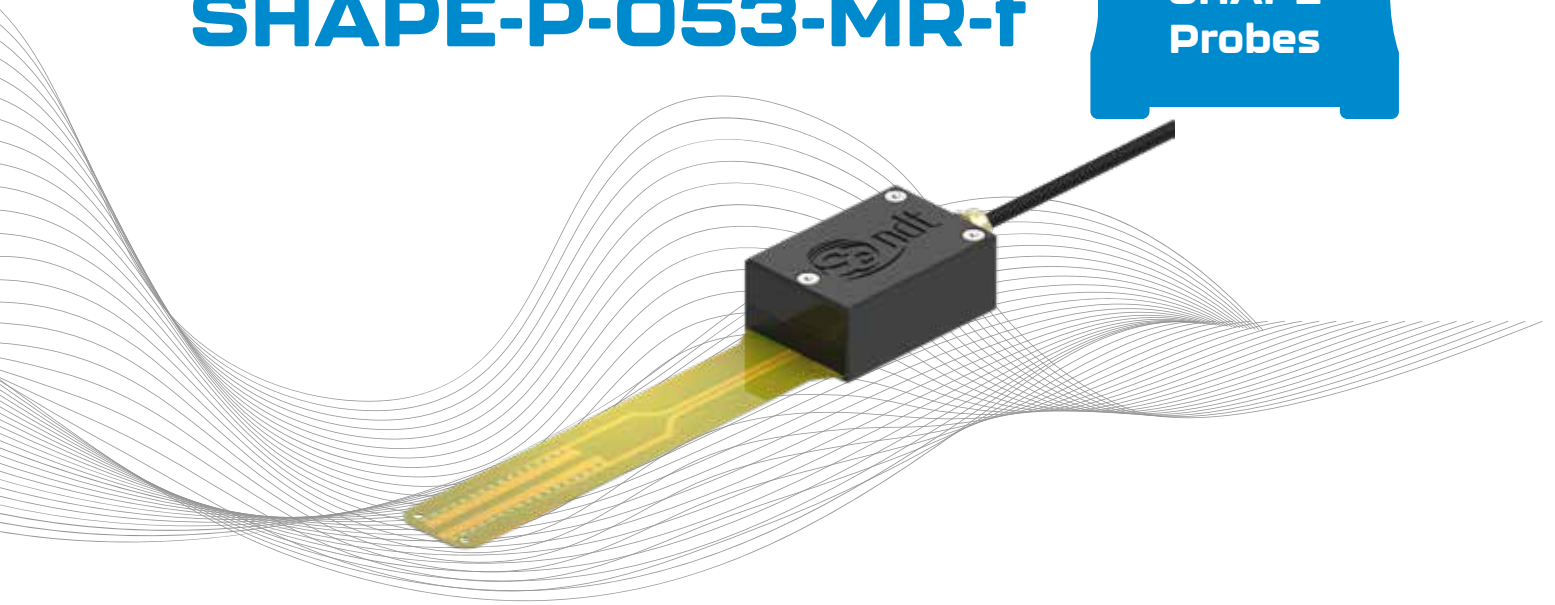


# SHAPE-P-053-MR-f



**SG NDT SHAPE probes** are an ideal solution for examining surfaces with varying curvatures and geometries. They can be held in the hand or in a small probe holder, making them a versatile tool for initial testing and proof of concept verification before transitioning to a rigid probe with a fixed geometry.

The **SHAPE-P-053-MR-f probe** is a **mid-resolution** inspection probe, manufactured with no rubber backing, resulting in the **ultimate probe flexibility**. These probes have been field-proven as an excellent “all-rounder”.

The SHAPE probe can be customized to meet specific requirements, making it the ultimate tool for surface Eddy Current Array examination.

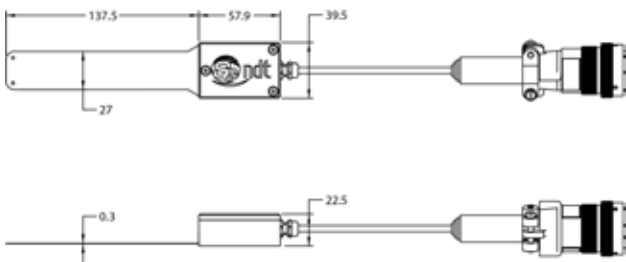
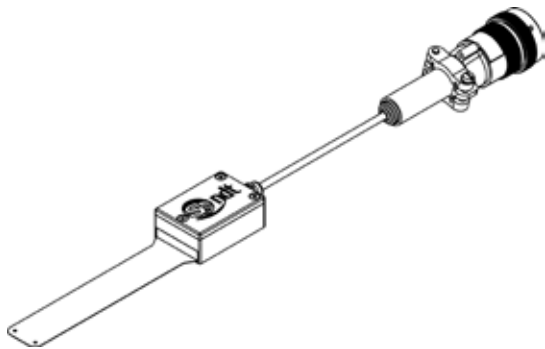
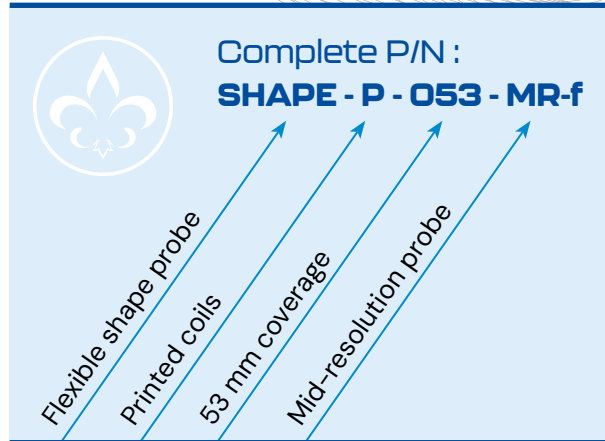
## SHAPE-P-053-MR-f

Technology	PCB Coils
Frequency Range	50kHz – 500kHz
Coil OD	3.5mm
Coil Quantity	2 Rows of 16 (32 total)
Probe Coverage	53mm
Topology	Long Single Driver
Channels	31 Axial, 15 Transverses (total 46)
Resolution	3.5mm Axial, 3.5mm Transverse
Curve Radius	> 20mm
Typical Detectable Ddefect	> 2mm
Cable Length	3m Standard
Maximum Lift-Off	2.75mm

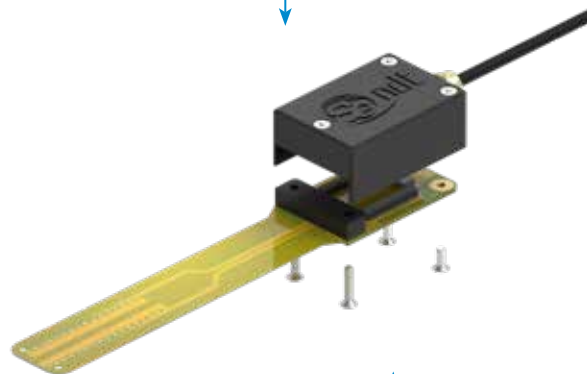
# SHAPE-P-053-MR-f

## Interchangeability

The flexible array is easily detached from the cable and multiplexer (MUX) assembly and replaced using a single tool. This means that the array can be quickly and easily replaced by other similar arrays with a different coverage, resolution or topology.



Cable P/N : **CBLS-SHAPE-03M**



Array P/N : **SFLX-P-053-MR-f**

**Through innovation,**  
we surpass standard expectations

visit us online at: [sgndt.com](http://sgndt.com)

