

# ENCS-00-03M



**SG NDT Cushioned ECA probes** can often benefit from an encoder for inspection that needs to be accurately calibrated and measurements taken.

The ENCS-00-03M is the standard encoder designed to be attached to any of our standard Padded probes. It is compatible with the PAD-P-053-MR, PAD-P-054-HR, or the PAD-P-036-XR. The encoder is affixed to an aluminium spring-loaded four-bar mechanism to ensure surface contact and provide the most accurate encoding possible. The standard cable length is 3 meters, but it can be customized to any length upon request.

## ENCS-00-03M

|                           |  |
|---------------------------|--|
| <b>Encoder Type</b>       | Incremental Magnetic Encoder                                       |
| <b>Cable Length</b>       | 3m Standard  |
| <b>Connector</b>          | 18-pin Amphenol Connector (Compatible with S2G2-WS and Micro S2G2) |
| <b>Mechanical Fixture</b> | Spring-Loaded Four-Bar Mechanism                                   |
| <b>Supply Voltage</b>     | 5V   |
| <b>Resolution</b>         | 25.5 counts/mm   |
| <b>Wheel OD</b>           | 25.4mm   |



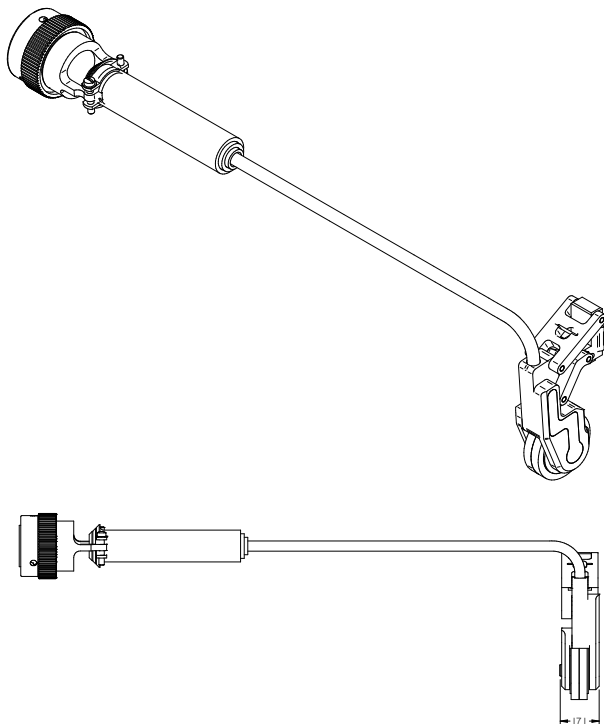
# ENCS-00-03M

## Adaptor for use with the S2G2-800 instrument

|                   |                       |
|-------------------|-----------------------|
| CBLA-RG-IO-18-39P | 18PIN - 39PIN ADAPTOR |
|-------------------|-----------------------|



Adaptor to convert 18pin encoder (I/O) connector (uS2G2 & S2G2-WS) to 39 pin encoder (I/O) connector (S2G2-800)

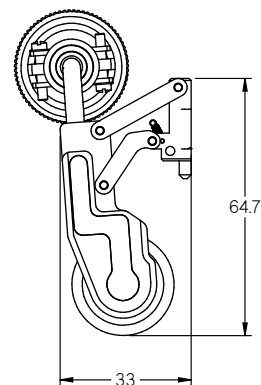
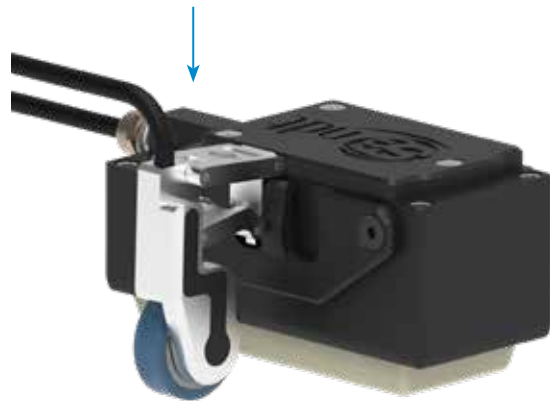


Complete P/N : **ENCS - 00 - 03M**

Encoder for padded surface probe

3 meters cable length

Standard ENCS-00-03M attached to the PAD-P-053MR



Through innovation,  
we surpass standard expectations

visit us online at: [sgndt.com](http://sgndt.com)

